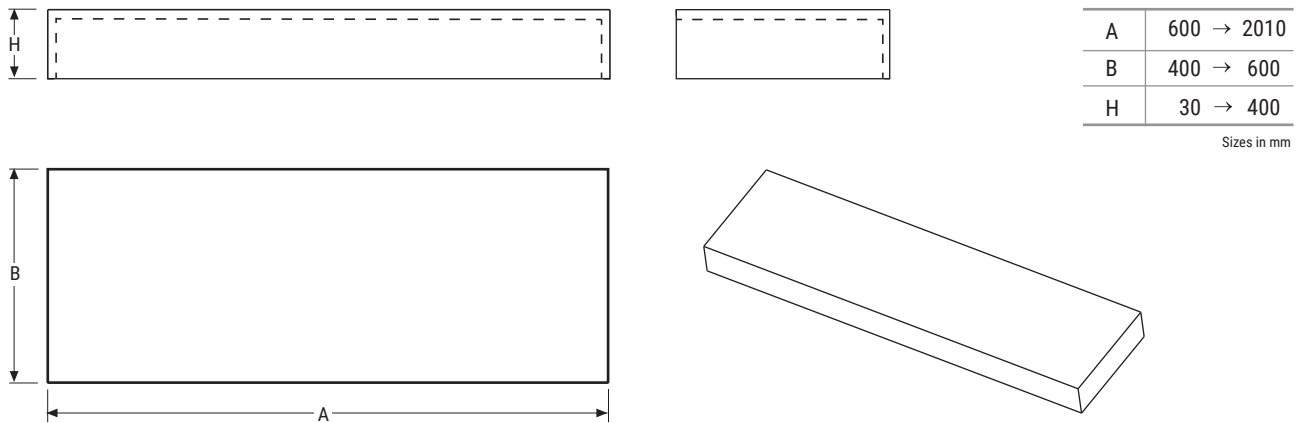
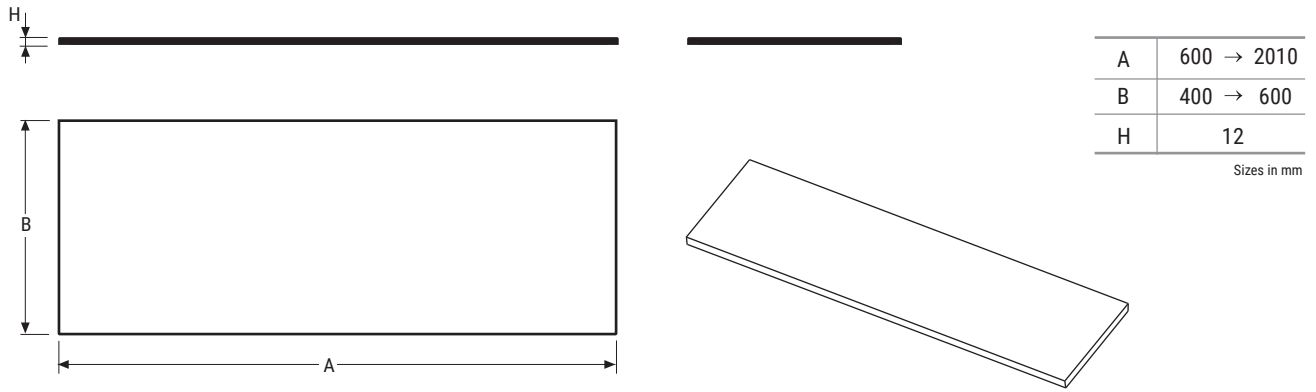
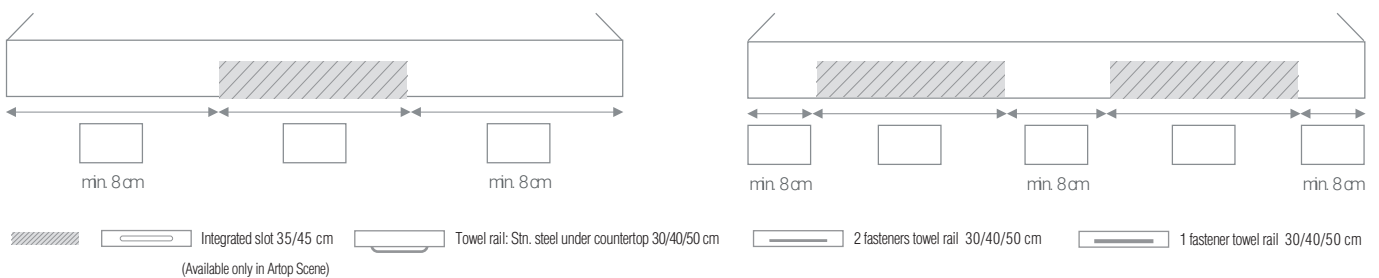


Pre-installation



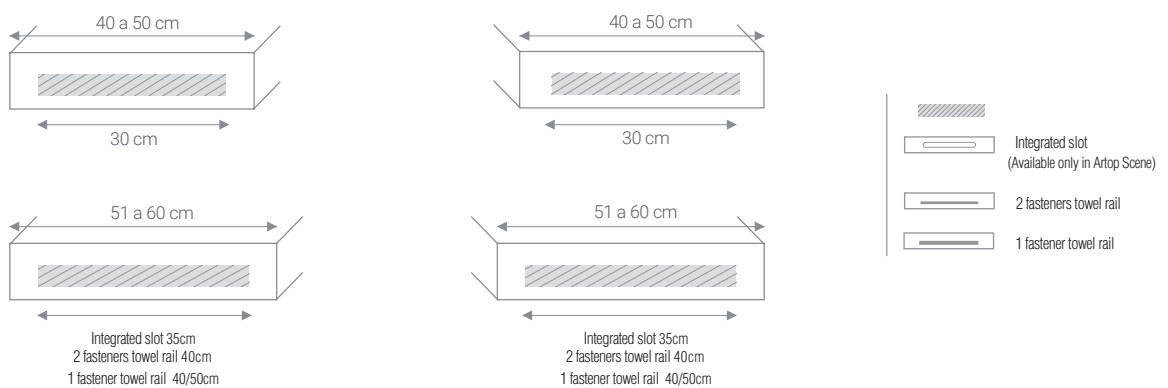
1 TOWEL RAIL ON FRONT SIDE

2 TOWEL RAILS ON FRONT SIDE



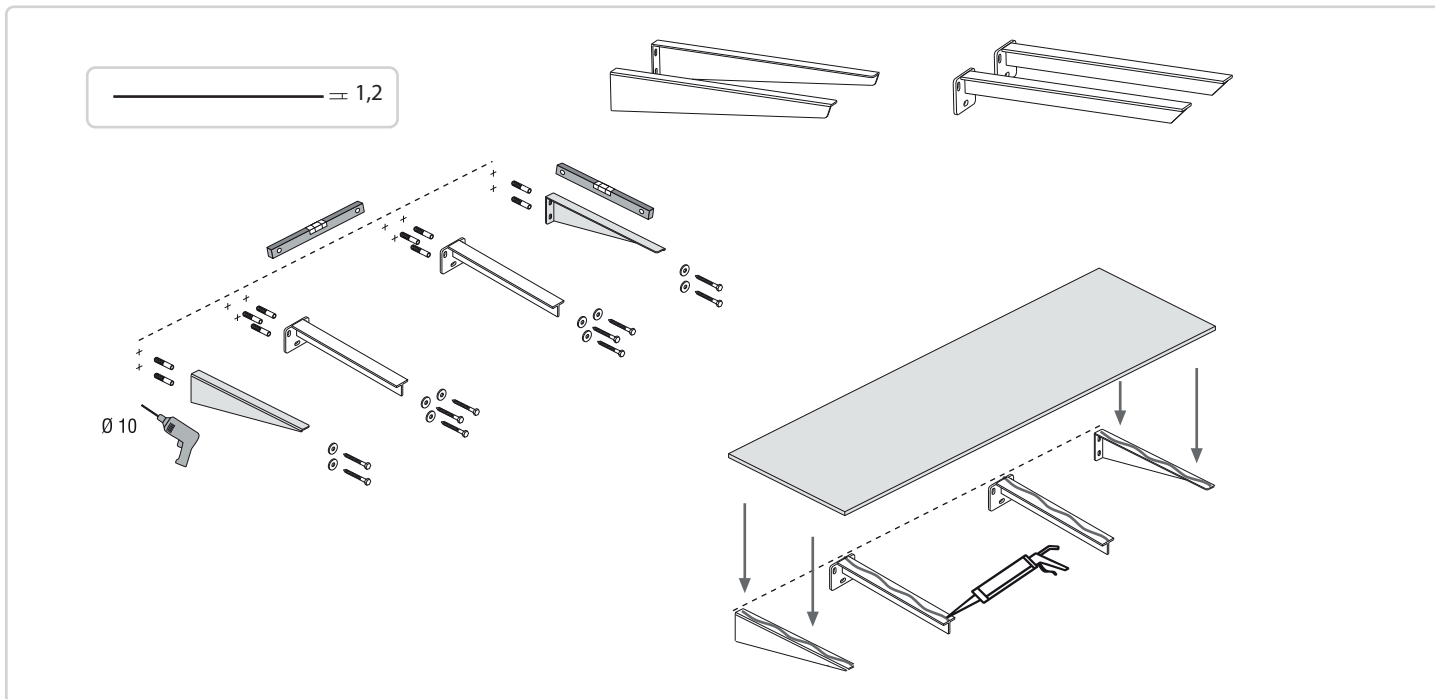
TOWEL RAIL ON LEFT-HAND LATERAL SIDE

TOWEL RAIL ON RIGHT-HAND LATERAL SIDE

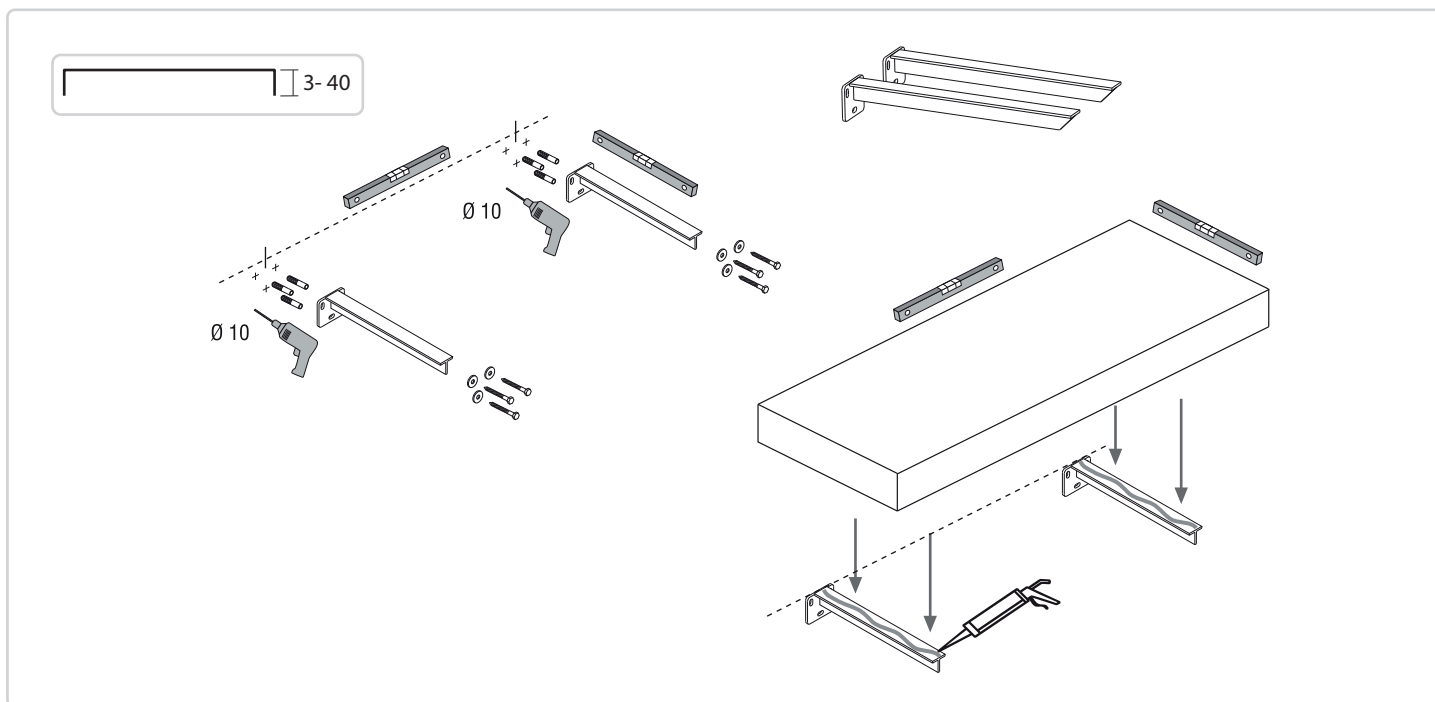


Installation

1.1



1.2



Adhesives and others (supplied by hidrobox)



Silicone sealant
310 ml cartridge