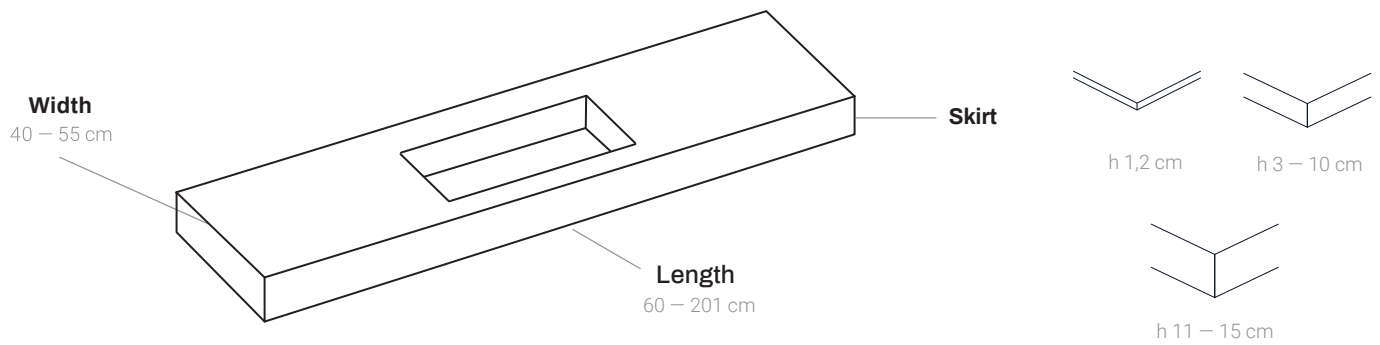


## Program Colour Washbasin



### CITY



S41

30 x 50 x 12h

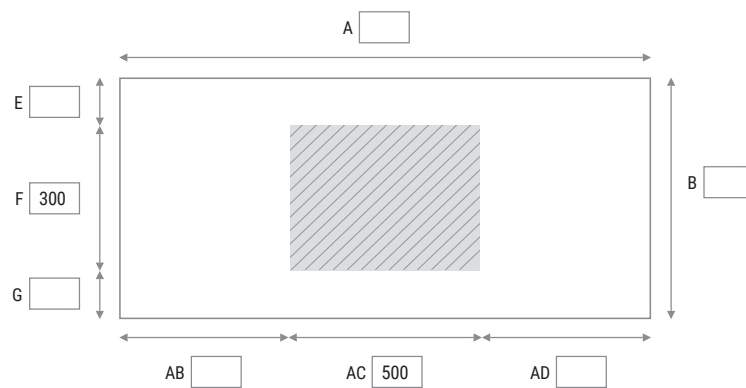
### CITY



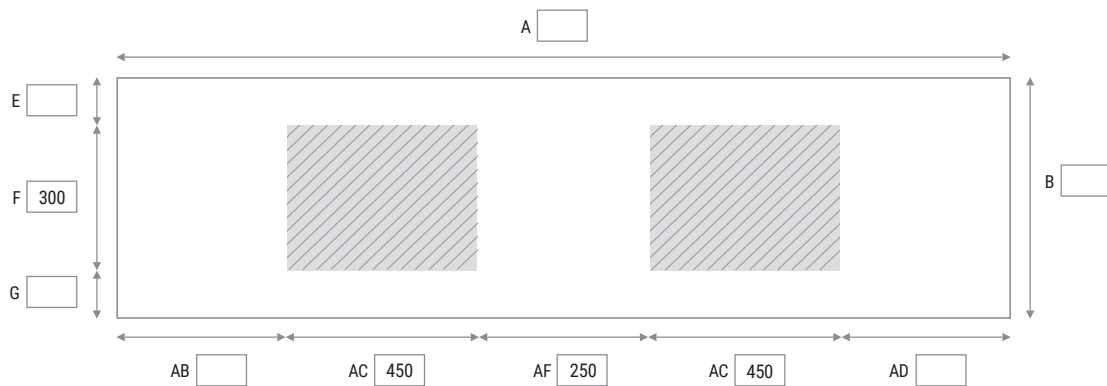
S42

30 x 45 x 12h

### 1 BASIN



### 2 BASINS

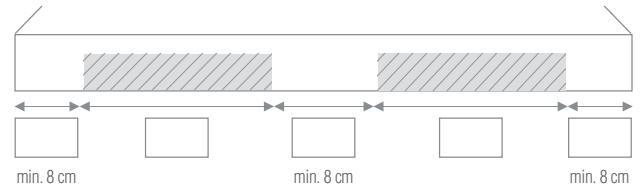
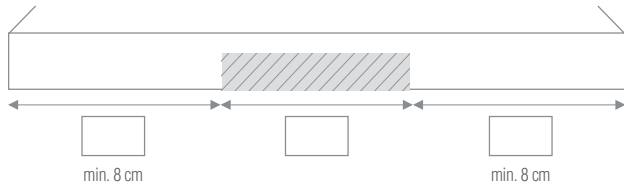


### MINIMUM SPECIFICATIONS FOR POSITION OF BASIN

	h = 1,2		h = 3-15		AB/AD	h = 1,2		h = 3-15
	without faucetry	with faucetry	without faucetry	with faucetry		without wall mounts	with wall mounts	
E	4	8	4	8	4	5	10	
G	4	4	6	6	10	10	10	

## 1 TOWEL RAIL ON FRONT SIDE

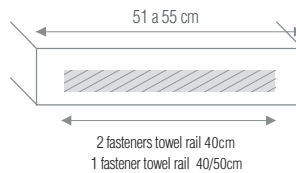
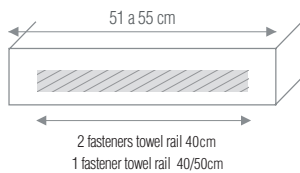
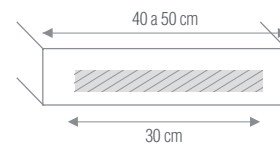
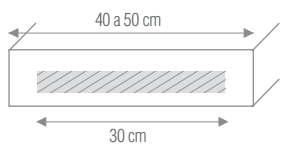
## 2 TOWEL RAILS ON FRONT SIDE







 Towel rail: Str. steel under countertop 30/40/50 cm 
  2 fasteners towel rail 30/40/50 cm 
  1 fastener towel rail 30/40/50 cm

## TOWEL RAIL ON LEFT-HAND LATERAL SIDE

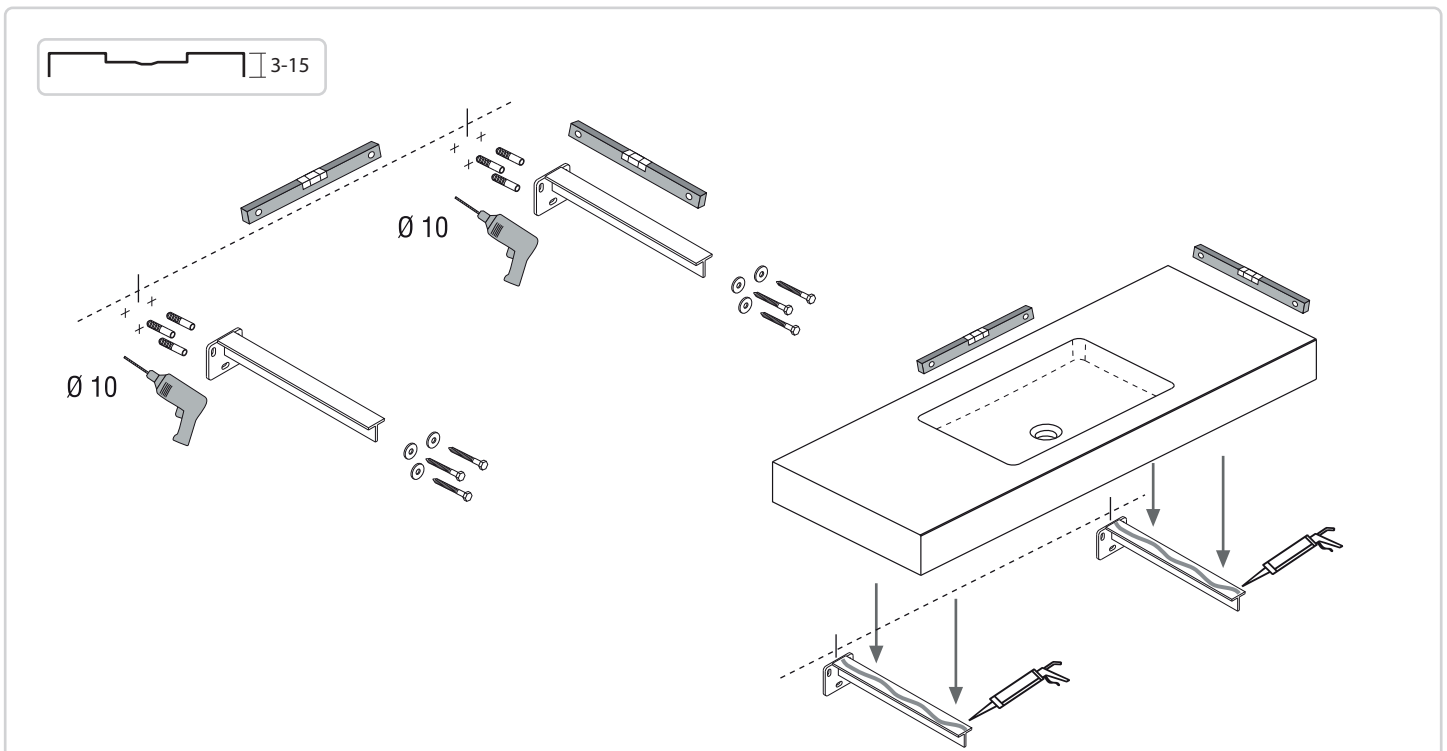
## TOWEL RAIL ON RIGHT-HAND LATERAL SIDE



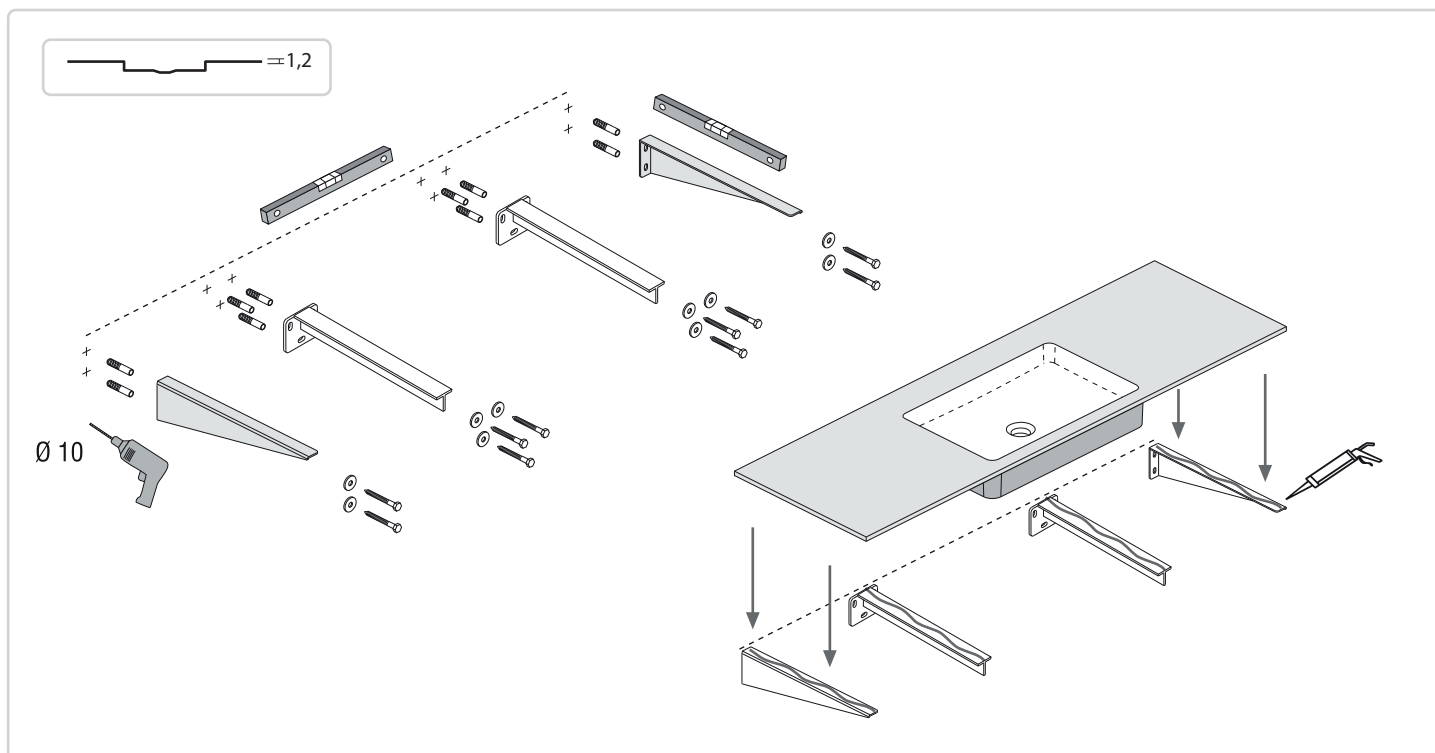

 2 fasteners towel rail 
  1 fastener towel rail

## Installation

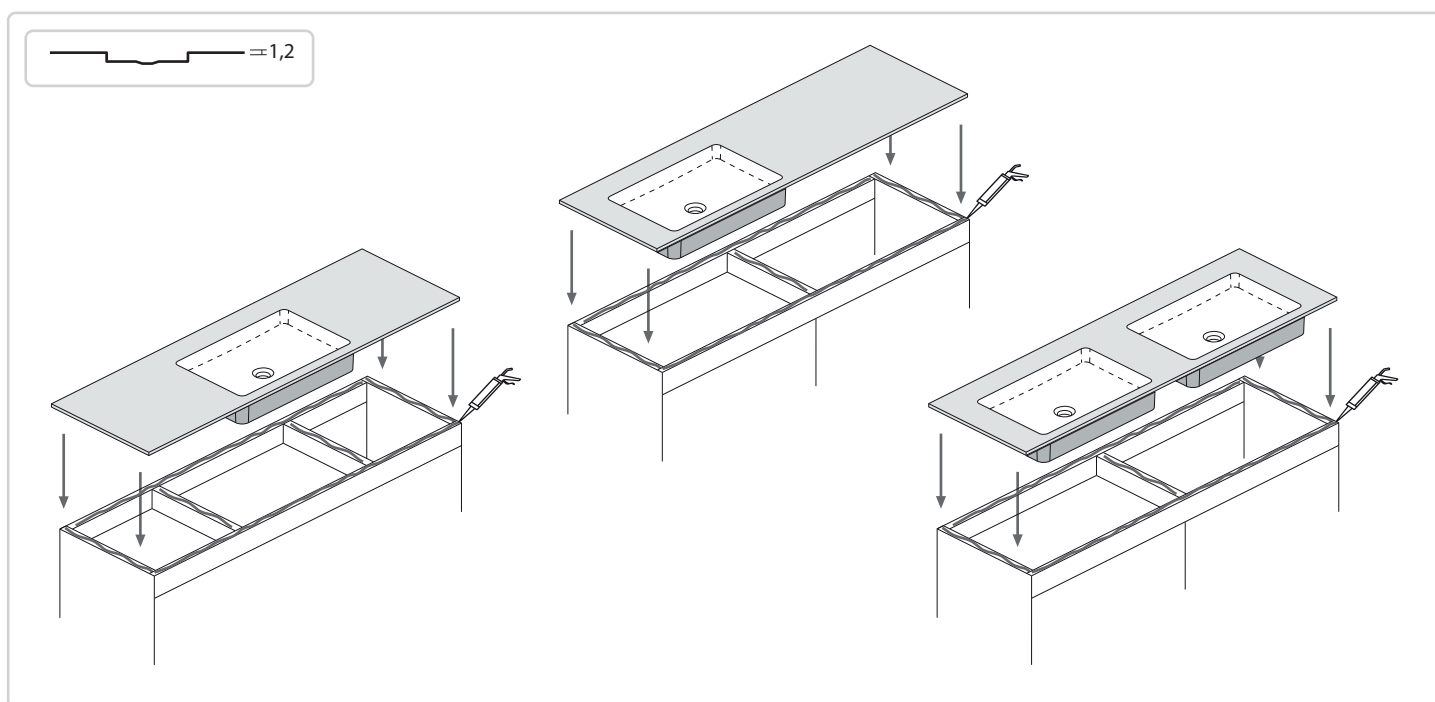
### 1.1



## 1.2



## 1.3



### Adhesives and others (supplied by hidrobox)



**Silicone sealant**  
310 ml cartridge