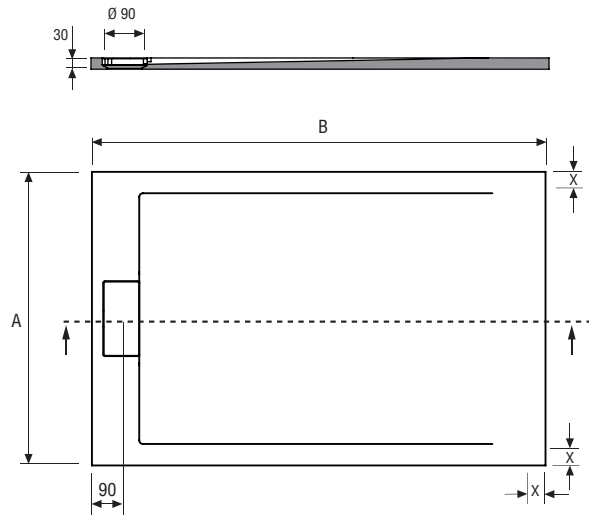


## Pre-installation

### Shower tray PURE



(H) Height according to valve supplied

X Glass enclosure zone. The minimum area reserved for the glass enclosure is 30mm

A	B	V	P
700	1000	0'042	38
700	1100	0'046	41
700	1200	0'050	45
700	1300	0'054	48
700	1400	0'058	52
700	1500	0'062	55
700	1600	0'066	59
700	1700	0'071	63
700	1800	0'088	70
700	1900	0'088	73
700	2000	0'098	77

A	B	V	P
800	1000	0'042	43
800	1100	0'046	46
800	1200	0'050	51
800	1300	0'054	55
800	1400	0'058	59
800	1500	0'062	63
800	1600	0'066	67
800	1700	0'071	71
800	1800	0'088	79
800	1900	0'088	82
800	2000	0'098	87

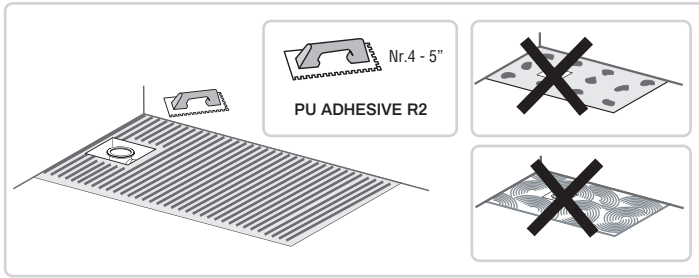
A	B	V	P
900	1000	0'047	48
900	1100	0'052	52
900	1200	0'056	57
900	1300	0'061	62
900	1400	0'065	67
900	1500	0'070	71
900	1600	0'075	76
900	1700	0'079	80
900	1800	0'088	88
900	1900	0'088	92
900	2000	0'098	97

Units: mm / V: m<sup>3</sup> / P: Kg

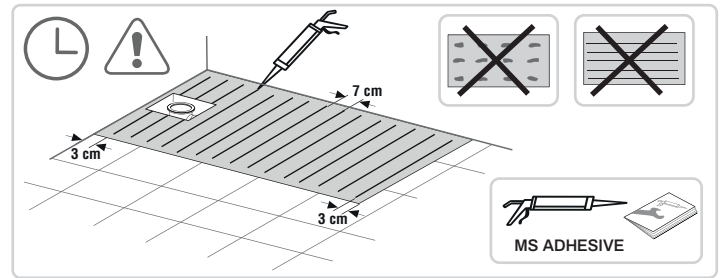
## Installation

- 
- 
- 
- 
- 
-

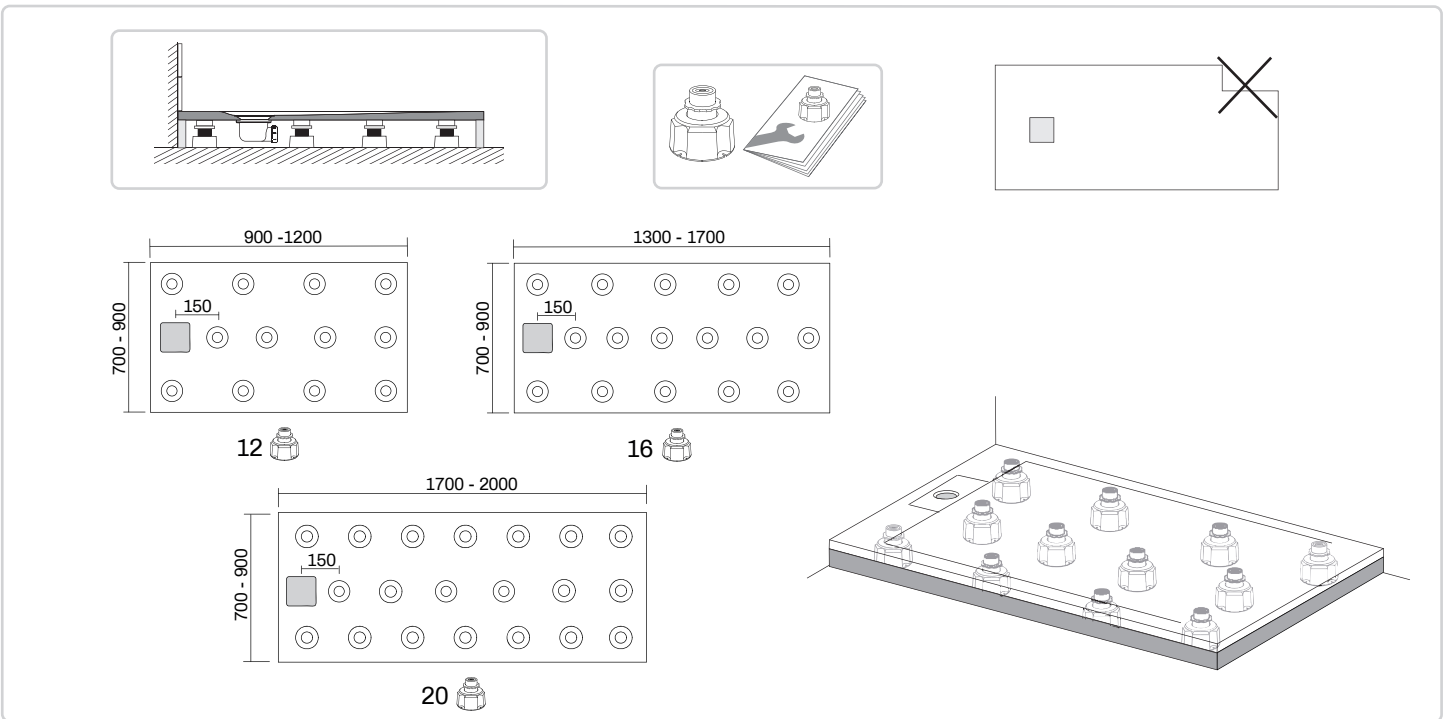
### 7.1 OPTION (A)



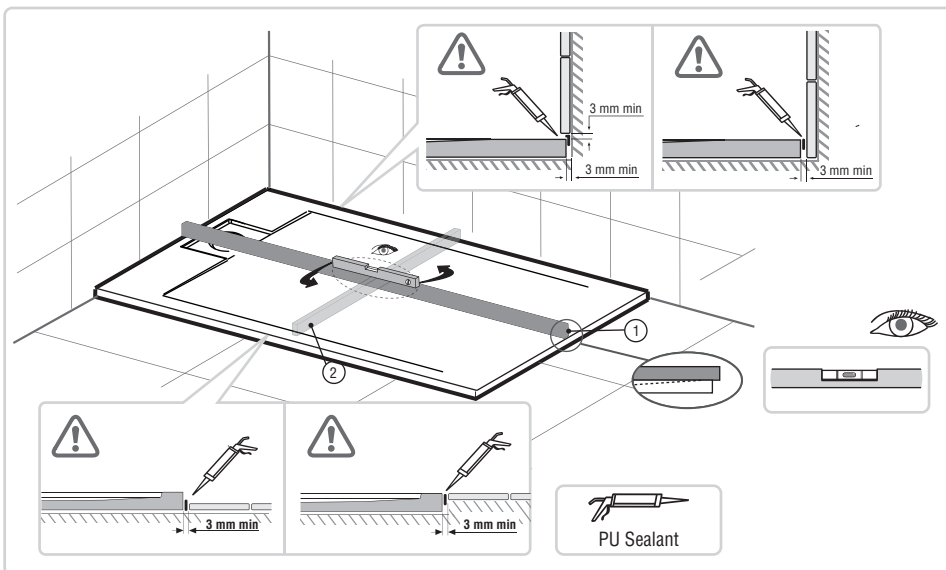
### 7.2 OPTION (B)



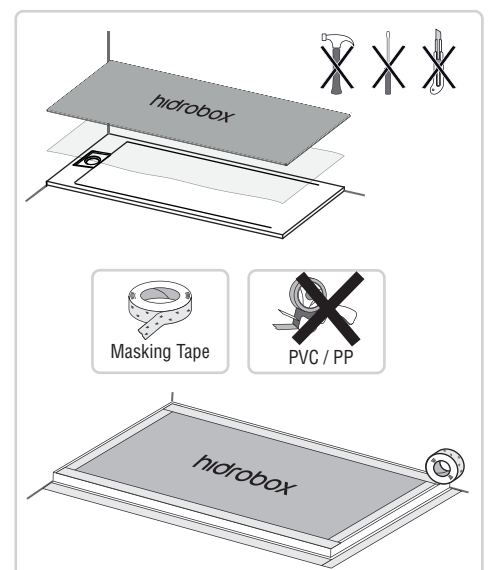
### 7.3 OPTION (C)



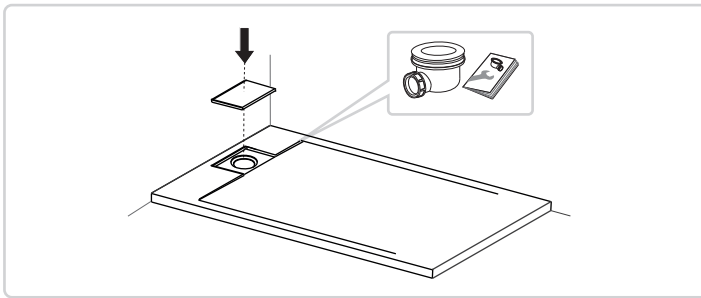
### 8



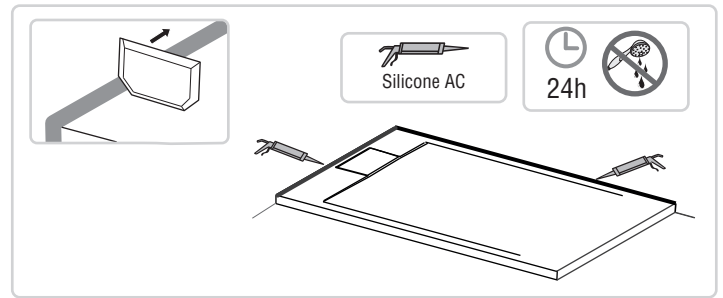
### 9



10



11



## Adhesives and others (supplied by hidrobox)



### Two-component polyurethane adhesive R2 or R2T

Cube of 5KG or 10KG White



### MS Adhesive for installation in cords

300 ml cartridge



### Silicone sealant

310 ml cartridge



### Feet

Pack of 4 pieces for installation on feet