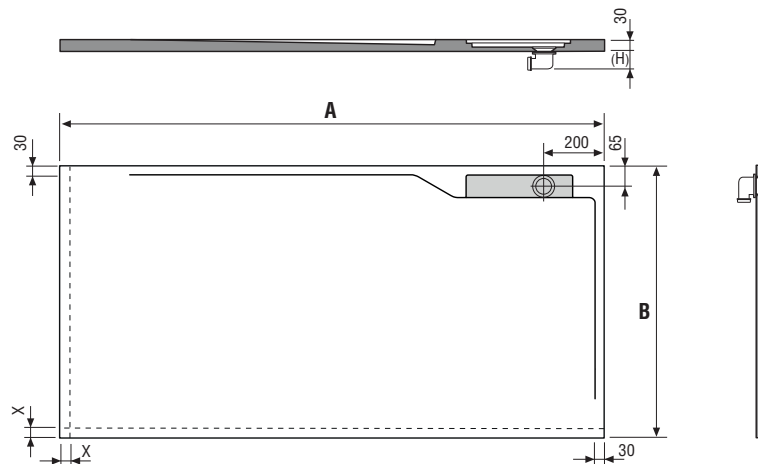


Pre-installation

Shower tray TWINS

Twins YL

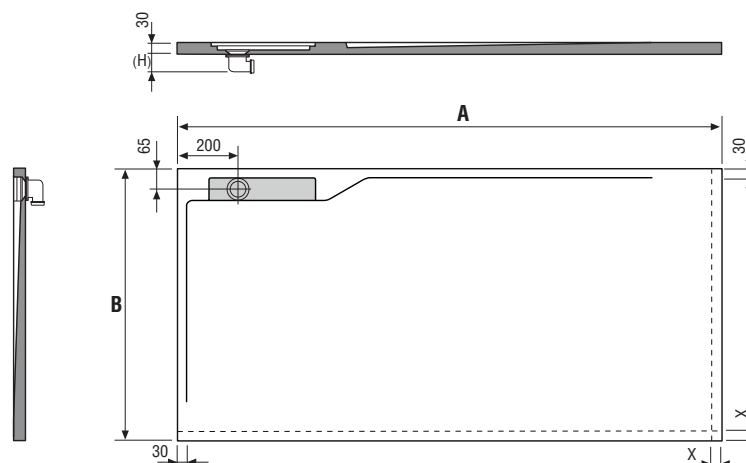


A	B	V	P
1000	800	0'047	42
1010 → 1100	800	0'056	48
1110 → 1200	800	0'056	53
1210 → 1300	800	0'065	57
1310 → 1400	800	0'065	62
1410 → 1500	800	0'079	66
1510 → 1600	800	0'079	71
1610 → 1700	800	0'079	74
1710 → 1800	800	0'088	80

A	B	V	P
1000	900	0'047	49
1010 → 1100	900	0'056	55
1110 → 1200	900	0'056	61
1210 → 1300	900	0'065	65
1310 → 1400	900	0'065	71
1410 → 1500	900	0'079	76
1510 → 1600	900	0'079	81
1610 → 1700	900	0'079	85
1710 → 1800	900	0'088	91

Units: mm / V : m³ / P: Kg

Twins YR



A	B	V	P
1000	800	0'047	42
1010 → 1100	800	0'056	48
1110 → 1200	800	0'056	53
1210 → 1300	800	0'065	57
1310 → 1400	800	0'065	62
1410 → 1500	800	0'079	66
1510 → 1600	800	0'079	71
1610 → 1700	800	0'079	74
1710 → 1800	800	0'088	80

A	B	V	P
1000	900	0'047	49
1010 → 1100	900	0'056	55
1110 → 1200	900	0'056	61
1210 → 1300	900	0'065	65
1310 → 1400	900	0'065	71
1410 → 1500	900	0'079	76
1510 → 1600	900	0'079	81
1610 → 1700	900	0'079	85
1710 → 1800	900	0'088	91

Units: mm / V : m³ / P: Kg

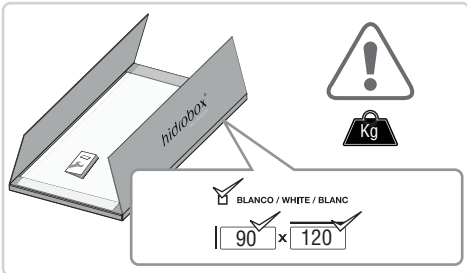
(H) Height according to valve supplied

X Glass enclosure zone. The minimum area reserved for the glass enclosure is 30mm.

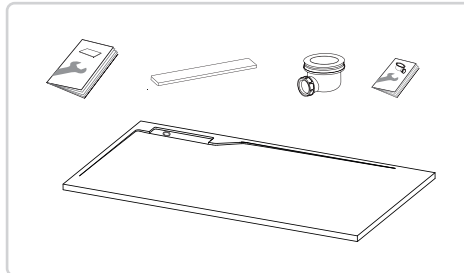
Installation

SHOWER TRAY TWINS

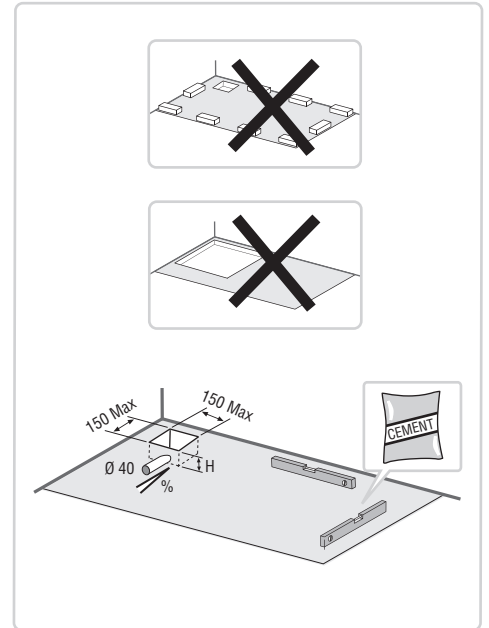
1



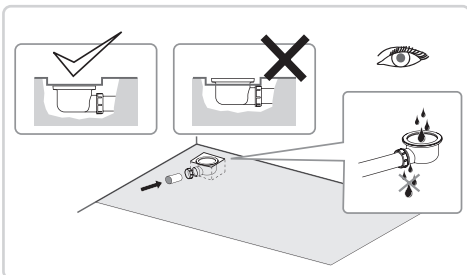
2



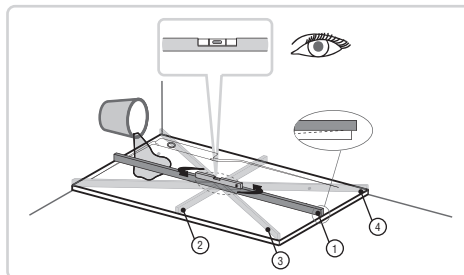
3



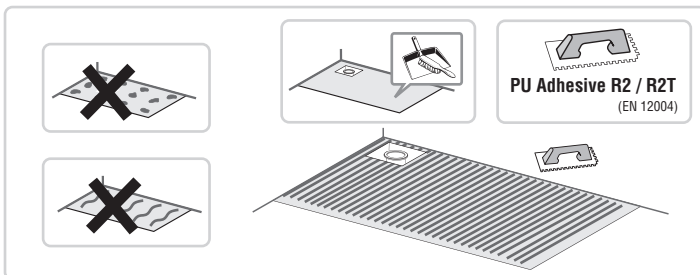
4



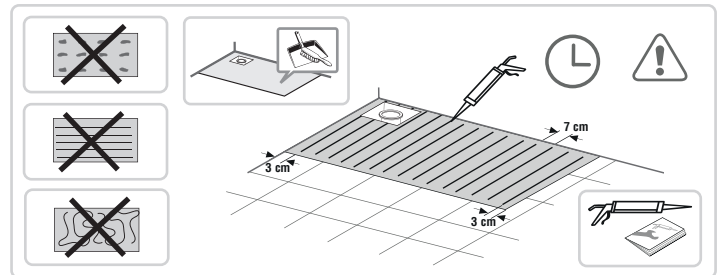
5



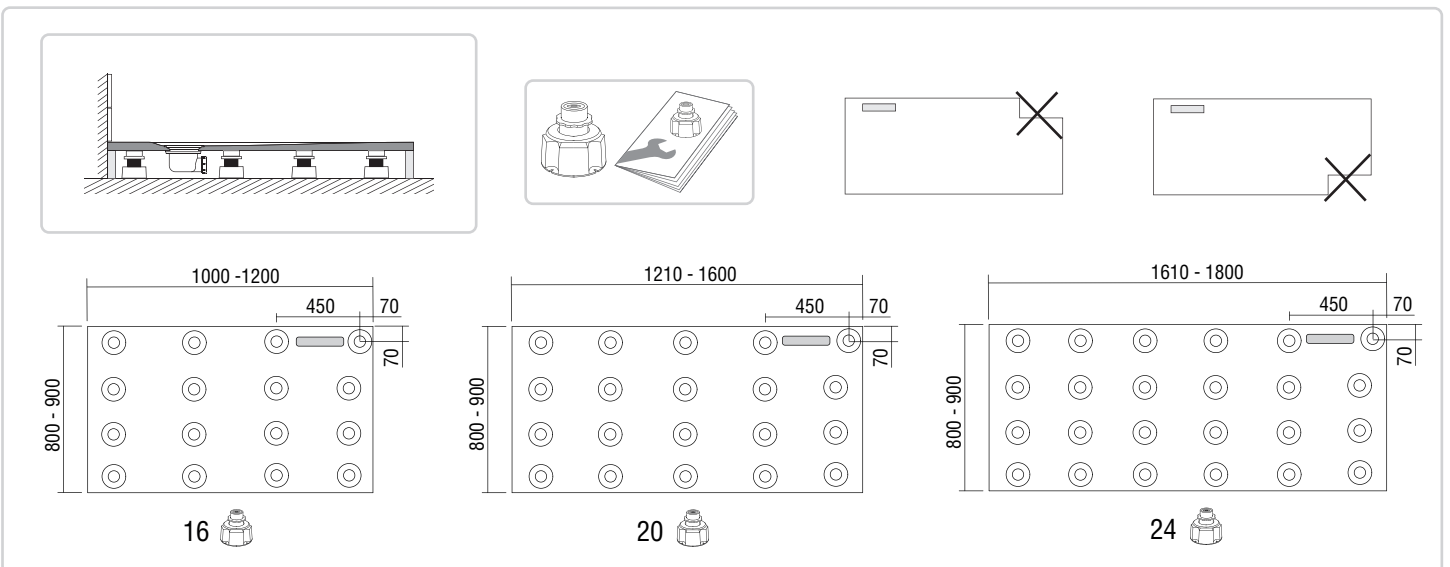
6.1 OPTION (A)



6.2 OPTION (B)



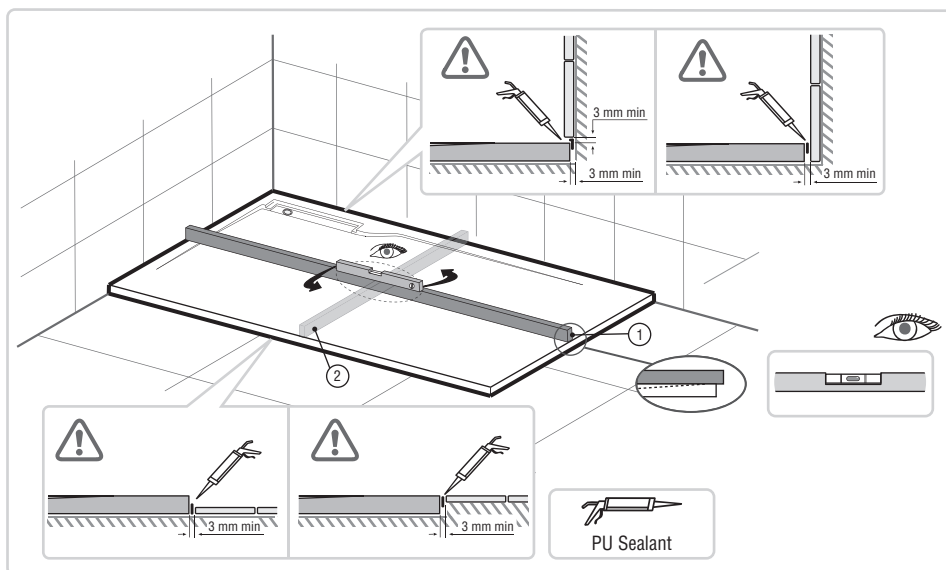
6.3 OPTION (C)



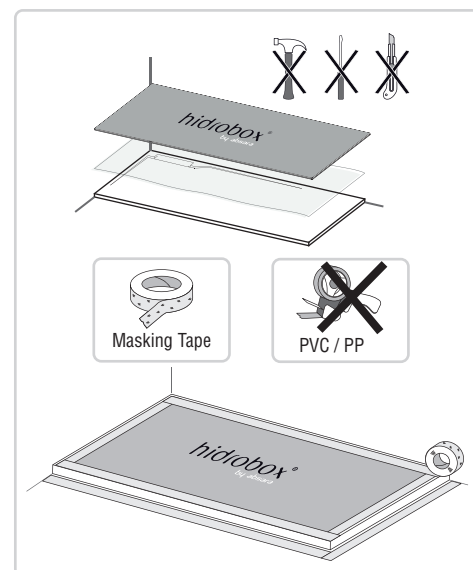
Installation

SHOWER TRAY TWINS

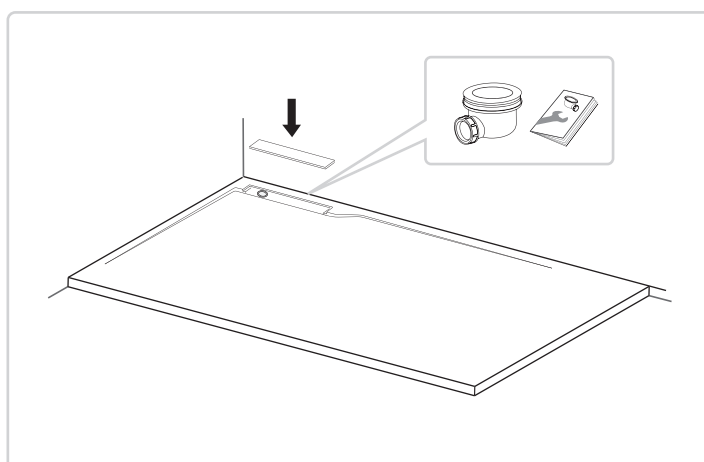
7



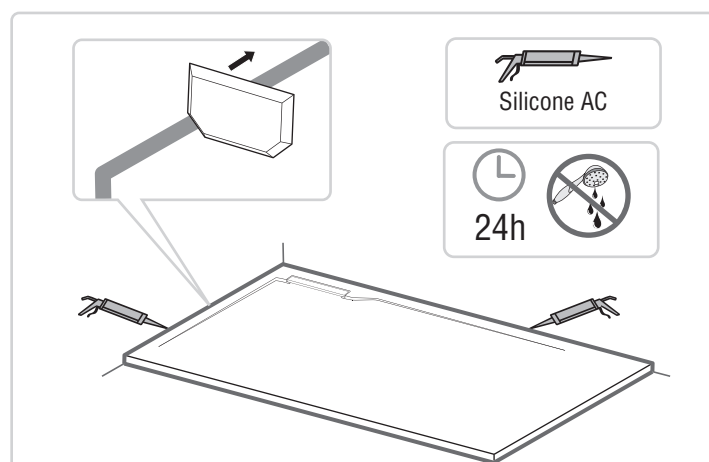
8



9



10



Adhesives and others (supplied by hidrobox)



Two-component polyurethane adhesive R2 or R2T
Cube of 5KG or 10KG White



MS Adhesive for installation in cords
300 ml cartridge



Silicone sealant
310 ml cartridge



Feet
Pack of 4 pieces for installation on feet