

Vorbereitung der montage

Beta Fusion Badewanne

BETA FUSION 175-200 X 85-100

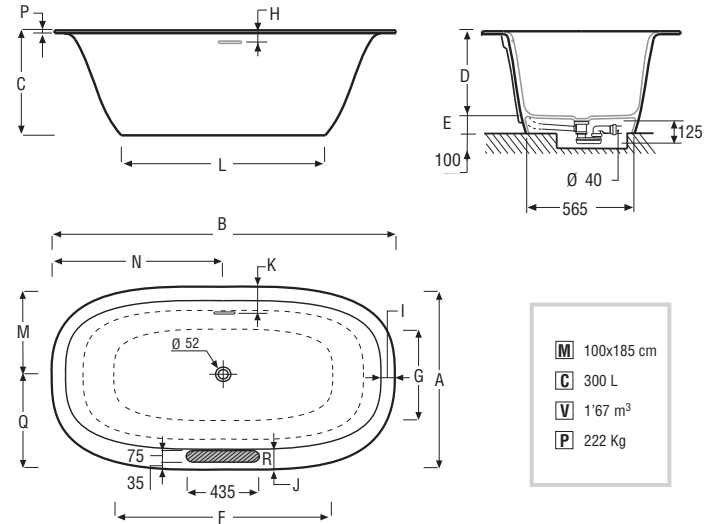
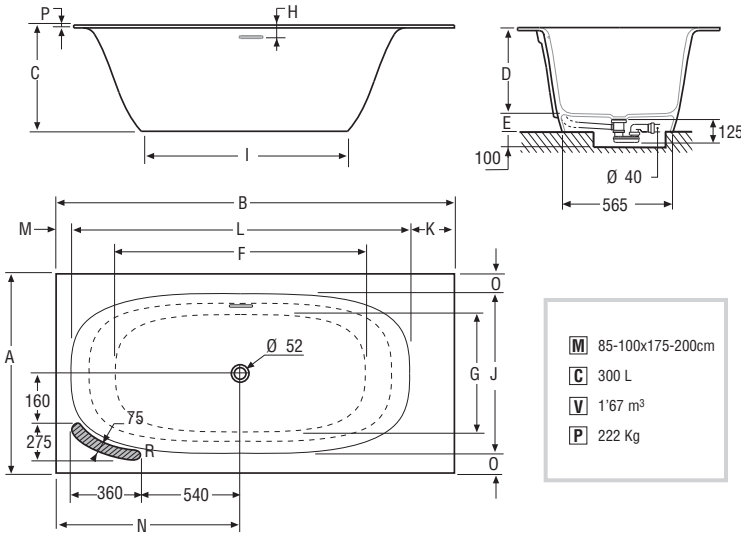
| | | | | | | | |
|---|-------------|---|------|---|----------|---|-----------|
| A | 850 - 1000 | E | 70 | I | 1090 | M | 25 - 75 |
| B | 1750 - 2000 | F | 1180 | J | 800 | N | 875 - 925 |
| C | 560 | G | 525 | K | 25 - 225 | O | 25 - 100 |
| D | 470 | H | 80 | L | 1700 | P | 15 |

Units: mm

BETA FUSION 100x185

| | | | | | | | |
|---|------|---|------|---|------|---|-----|
| A | 1000 | E | 70 | I | 1090 | M | 75 |
| B | 1850 | F | 1180 | J | 800 | N | 925 |
| C | 560 | G | 525 | K | 75 | O | 75 |
| D | 470 | H | 80 | L | 1700 | P | 15 |

Units: mm



BETA FUSION 140x140

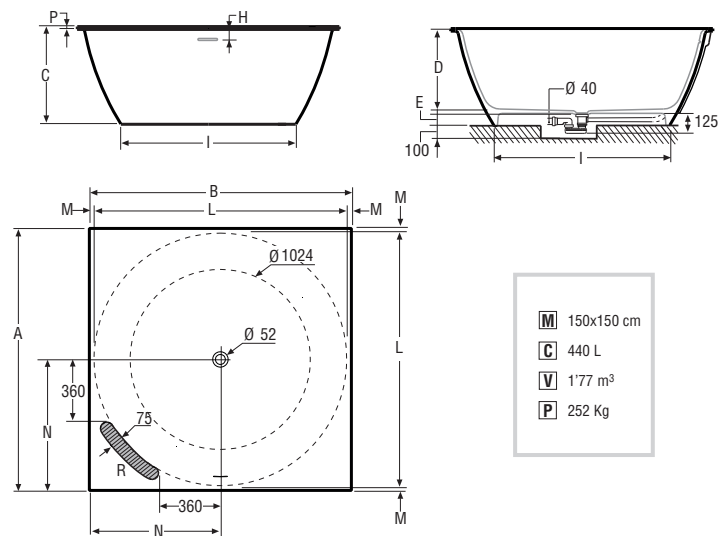
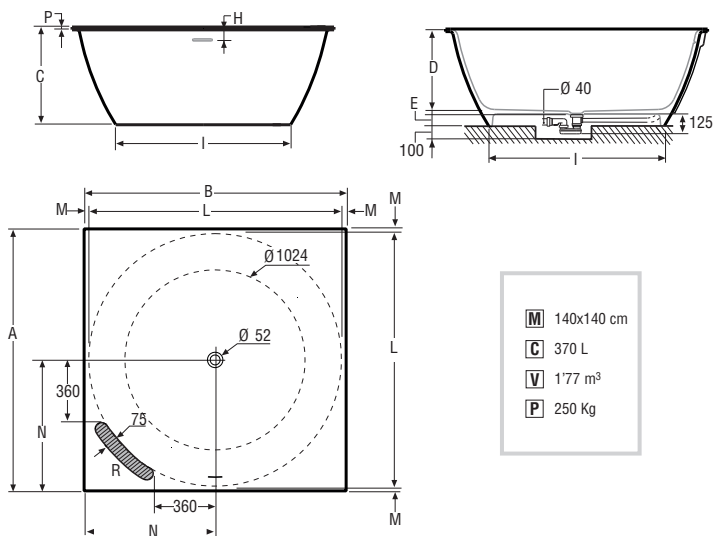
| | | | | | |
|---|------|---|------|---|-----|
| A | 1400 | E | 70 | M | 45 |
| B | 1400 | H | 80 | N | 750 |
| C | 560 | I | 1000 | P | 15 |
| D | 470 | L | 1310 | | |

Units: mm

BETA FUSION 150x150

| | | | | | |
|---|------|---|------|---|-----|
| A | 1500 | E | 70 | M | 27 |
| B | 1500 | H | 80 | N | 750 |
| C | 560 | I | 1000 | P | 15 |
| D | 470 | L | 1445 | | |

Units: mm



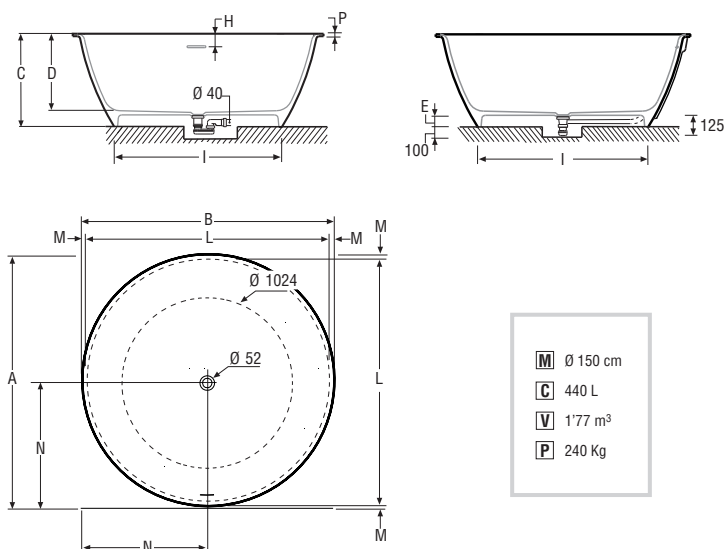
Vorbereitung der montage

Beta Fusion Badewanne

BETA FUSION Ø150

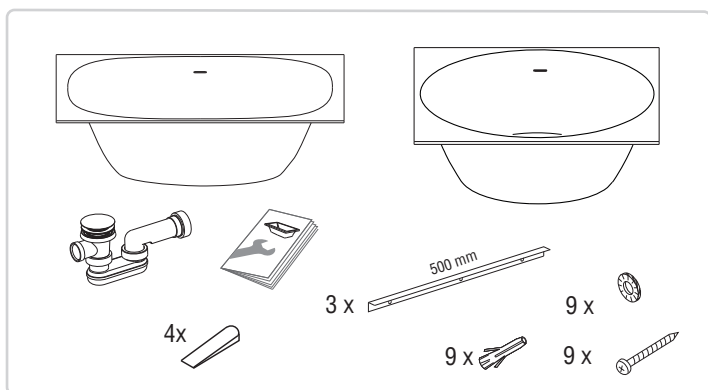
| | | | | | |
|---|------|---|------|---|-----|
| A | 1500 | E | 70 | M | 27 |
| B | 1500 | H | 80 | N | 750 |
| C | 560 | I | 1000 | P | 15 |
| D | 470 | L | 1445 | | |

Units: mm

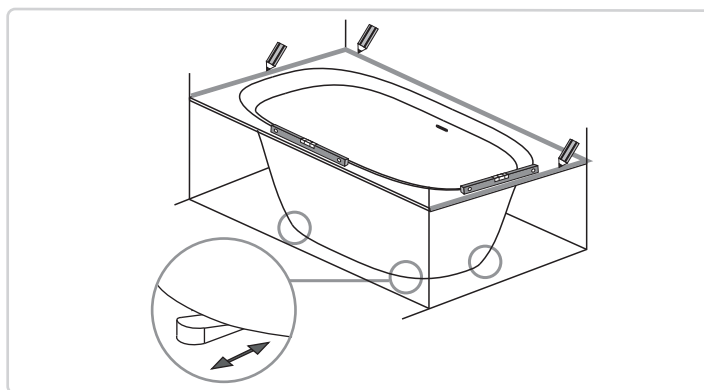


Montage

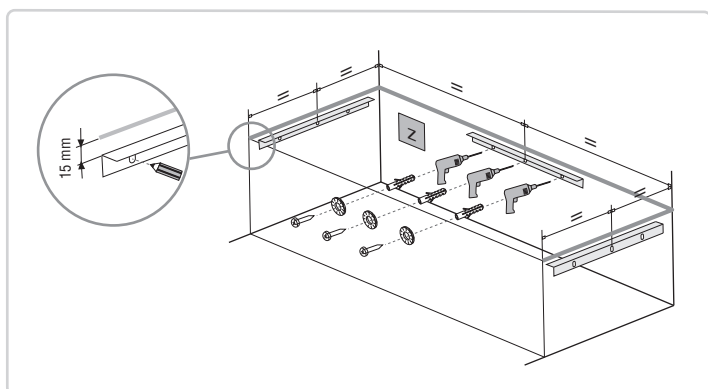
1



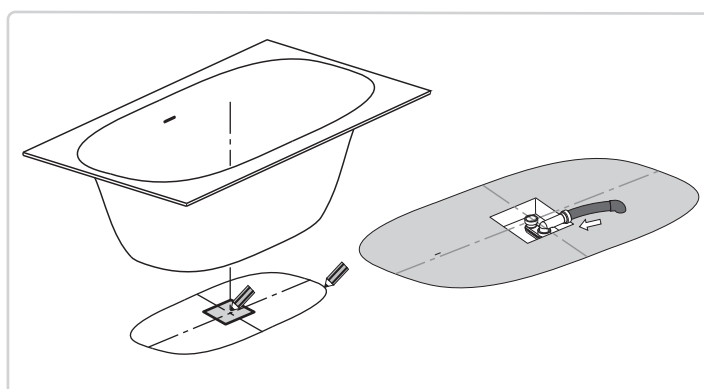
2



3

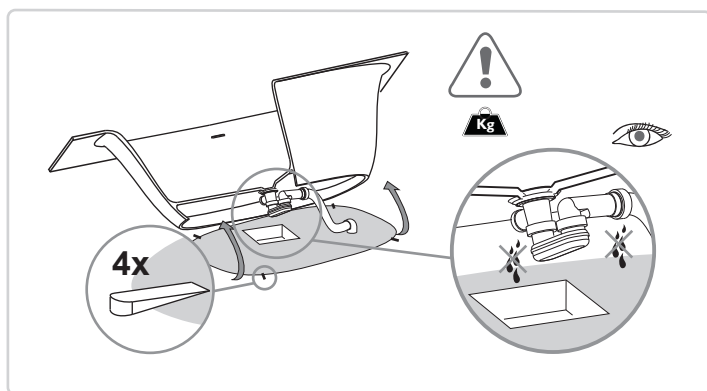


4

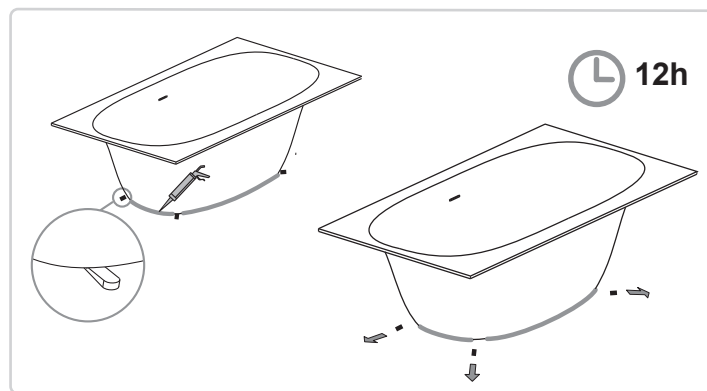


MONTAGE

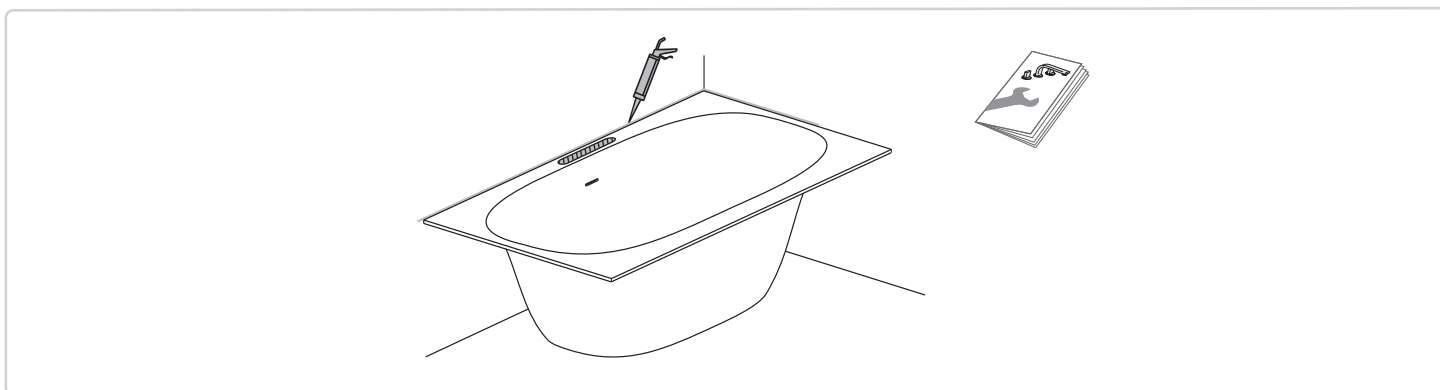
5



6



7



Klebstoffe und andere
(geliefert bei hidrobox)



Silikondichtstoff
310 ml Kartusche